



Features

Specifications

Cast Steel Parallel Slide Blow Off Valve, Rack and Pinion operated with Monel seats, Lever operated, Flanged Ends.

End Connections

Flanged Ends as per Table - J

Test Pressure

Body & Seat - 700 Psig Hyd.
Suitable for Max BOP - 350 Psig

Maximum Service Temperature

400°C



Suitability

Water



Steam



Gas



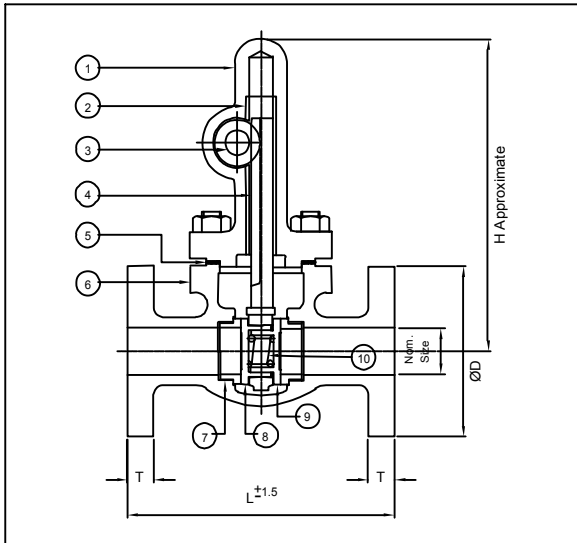
Oil



Air

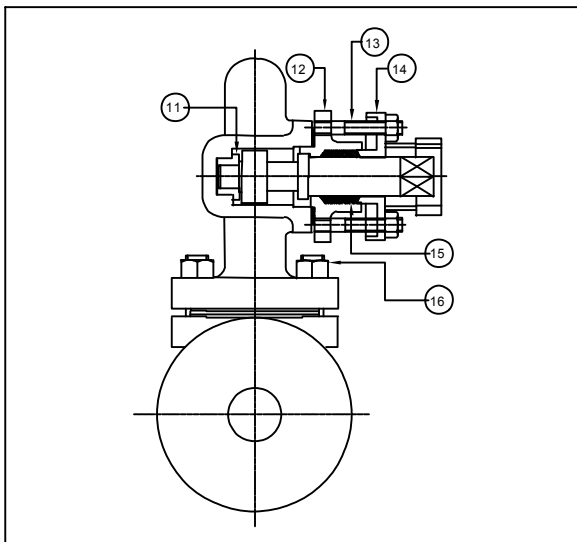


Material Combination



P/No.	Name of Part	Material	Specifications
1	Bonnet	C.S.	ASTM A216 Gr. WCB
2	Bush	S.S.	AISI 410
3, 4	Pinion, Rack	G.M.	BS 1400 LG2
5	Gasket	CAF	BS 2815 Gr. A
6	Body	C.S.	ASTM A216 Gr. WCB
7	Body Seat Ring	Monel	-
8, 9	Female / Male Disc	Monel	-
10	Spring	Spring Steel	-
11	Bush	S.S.	AISI 410
12	Stuffing Box	G.M.	BS 1400 LG2
13, 16	Studs & Nuts	Carbon Steel	Min. UTS = 390 Mpa
14	Gland	G.M.	BS 1400 LG2
15	Gland Packing	Graphited Asbestos	-

Dimensional Data (in mm)



Nominal Size	L	ØD	T	H
25	174.5	121	19.1	200
32	178	133.5	19.1	260
40	190.5	140	22.5	260
50	206.5	165.1	25.4	300