



Features

Specifications

Screwed in cover with Hardened Sight Glass of High Resistance for use on Condensated Steam Lines.

End Connections

Screwed Female BSP/ NPT Threads.

Working Conditions

Condensated Steam - 50 Psig (3.5 Bar)
Liquids to 60°C - 100 Psig (7 Bar)



Suitability

Water

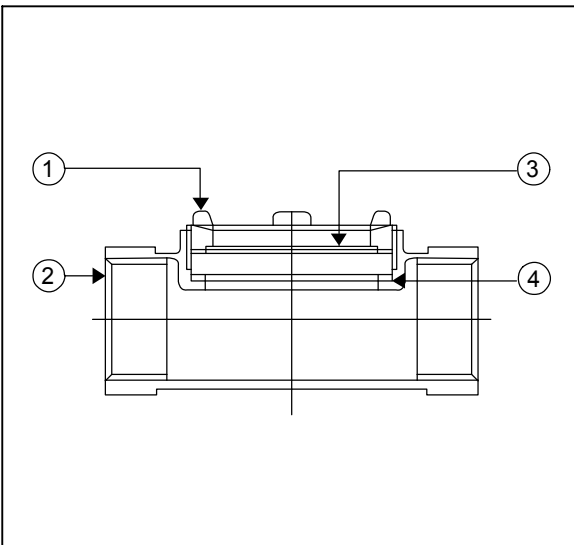
Steam

Gas

Oil

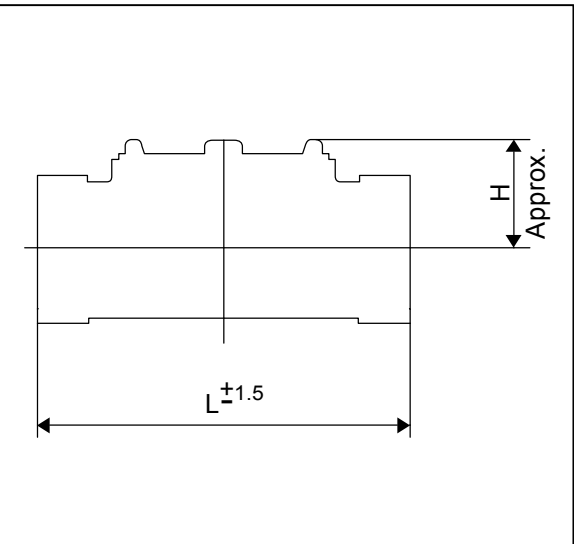
Air

Material Combination



P/No.	Name of Part	Material	Specifications
1	Cover	Bronze	BS 1400 LG2
2	Body	Bronze	BS 1400 LG2
3	Glass	Hardened Sight	-
4	Gasket	CAF	BS 1832

Dimensional Data



Nominal Size	L	H
10	85	25
15	85	26
20	98	30
25	114	33
32	130	38
40	140	39
50	155	48