



Features

Specifications

Screwed on Bonnet, Inside Screw, Rising Stem, Renewable S.S.Trim with Back Seat Arrangement, Handwheel operated.

End Connections

Screwed Female BSP Parallel Threads to BS 21.

Test Pressures

Body - 500 Psig Hyd.

Seat & Back Seat - 250 Psig Hyd.



Suitability

Water



Steam



Gas



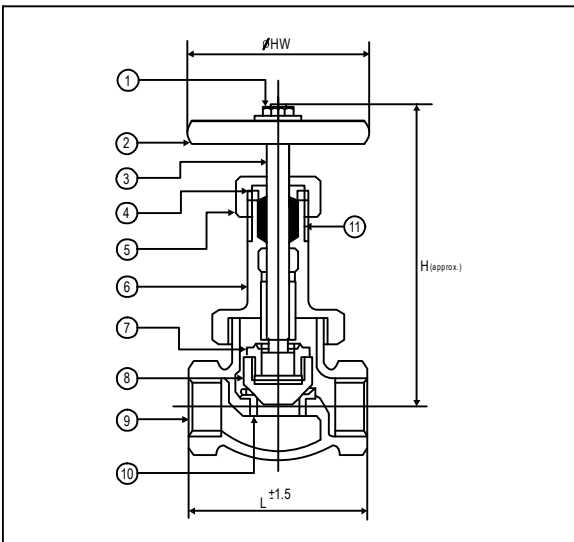
Oil



Air

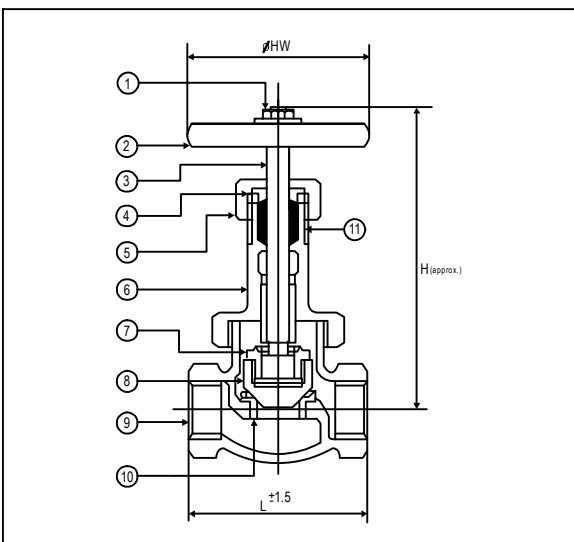


Material Combination



P/No.	Name of Part	Material	Specifications
1	Nut	M.S.	-
2	Handwheel	C.I.	BS1452 Gr.220
3	Stem	S.S.	AISI 410 / AISI 304
4	Gland	Bronze	BS 1400 LG2
5	Gland Nut	Bronze	BS 1400 LG2
6	Bonnet	Bronze	BS 1400 LG2
7	Disc Nut	Bronze	BS 1400 LG2
8	Disc	S.S.	AISI 410 / AISI 304
9	Body	Bronze	BS 1400 LG2
10	Body Seat Ring	S.S.	AISI 410 / AISI 304
11	Gland Packing	Asbestos	Graphited

Dimensional Data



Nominal Size	L	H	HW
8	62	108	64
10	62	108	64
15	74	136	64
20	88	158	71
25	100	168	86
32	115	180	96
40	126	225	118
50	150	248	148
65	182	295	148
80	203	325	197
100	248	390	197