



Features

Specifications

Screwed in Bonnet, Inside Screw, Rising Stem, with PTFE Disc and Backseat arrangement, Handwheel operated.

End Connections

Screwed female BSP/NPT Threads

Test Pressures

Body - 37.5 bar Hyd.



Suitability

Water



Steam



Gas



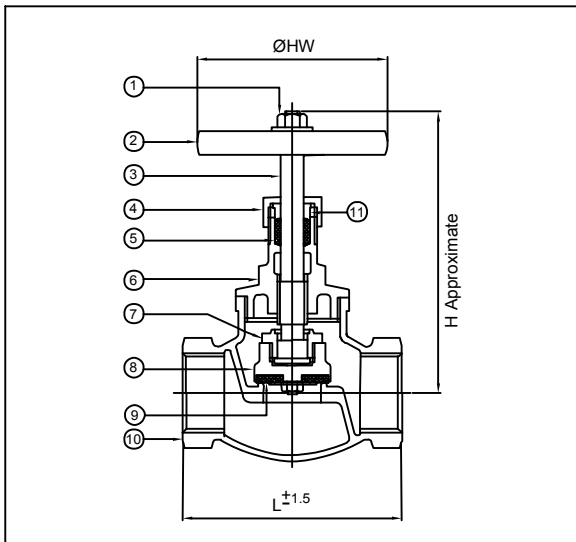
Oil



Air

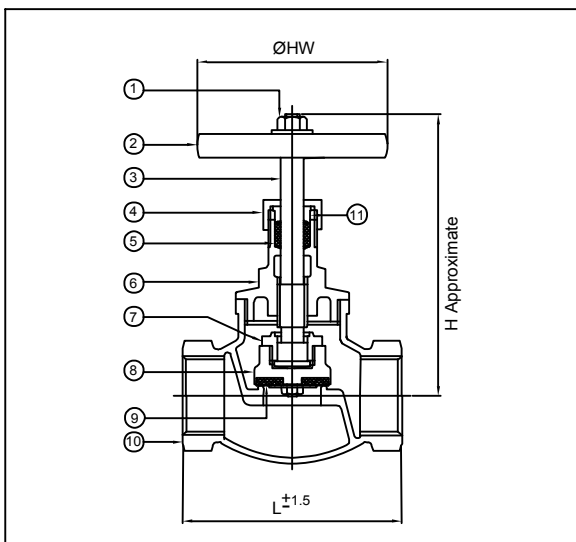


Material Combination



P/No.	Name of Part	Material	Specifications
1	Nut	Steel	-
2	Handwheel	Aluminium	-
3	Stem	S.S.	AISI 410
4	Gland Nut	Bronze	BS 1400 LG2
5	Gland Packing	PTFE	-
6	Bonnet	Bronze	BS 1400 LG2
7	Disc Nut	Brass / Bronze	BS 2874 / BS 1400 LG2
8	Disc Holder	Bronze	BS 1400 LG2
9	Disc	PTFE	-
10	Body	Bronze	BS 1400 LG2
11	Gland	Brass / Bronze	BS 2874 / BS 1400 LG2

Dimensional Data (in mm)



Nominal Size	L	H	HW
15	70	125	58
20	80	129	58
25	93	140	68
32	106	167	86
40	119	173	86
50	142	195	110