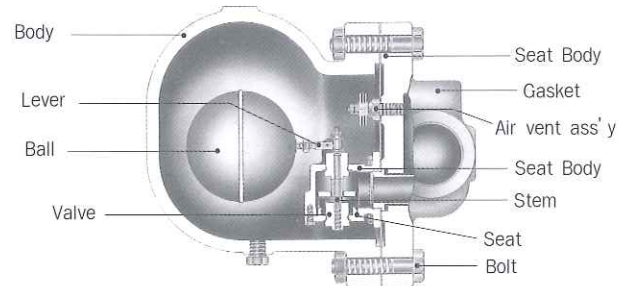
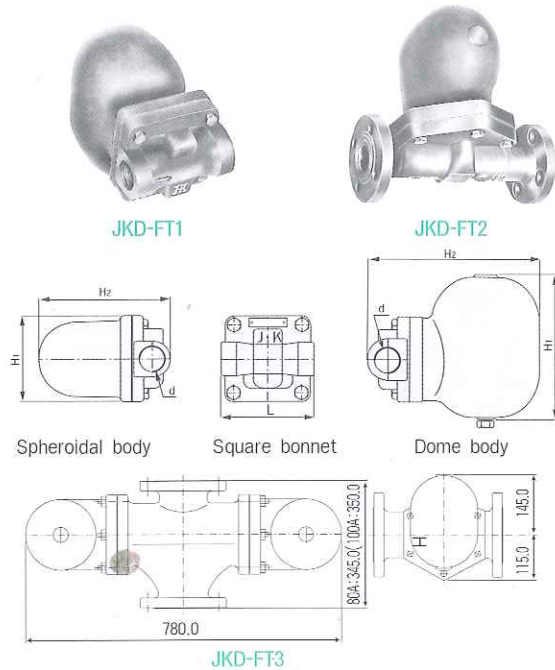


STEAM TRAP

Model
JKD-FT

Ball Float Type

With Air vent



DIMENSIONS

(mm)

Model	Size	Dia	End to end	Height		Weight	Connection
	mm(inch)	d	L	H ₁	H ₂	(kg)	
JKD-FT1	15(1/2")	PT 1/2"	120	110	170	4.4	PT Screwed
	20(3/4")	3/4"	120	110	170	4.4	
	25(1")	1"	120	195	220	7.4	
	32(1 1/4")	1 1/4"	270	240	295	18.0	
	40(1 1/2")	1 1/2"	270	240	295	18.5	
JKD-FT2	50(2")	2"	300	260	310	26.5	KS 10K FF Flanged
	15(1/2")	15	200	110	170	6.2	
	20(3/4")	20	200	110	170	6.4	
	25(1")	25	215	195	220	10.6	
	32(1 1/4")	32	320	240	295	21.5	
	40(1 1/2")	40	320	240	295	22.0	
	50(2")	50	360	260	310	34.5	

For application to larger capacity than thermodynamic trap such as heat exchanger, dryer, chemical plant, and various steam systems, Excellent durability of stainless steel disc, seat, and ball float. Inbuilt air vent assembly to eliminate air-binding.

Integral bonnet holding all parts for easy maintenance.

SPECIFICATIONS

Working pressure ranges : 4.5kgf/cm²(0.45MPa)

At working temperature : 10kgf/cm²(1.0MPa)

Within max. 220°C : 14kgf/cm²(1.4MPa)

Hydraulic Pressure Test : 1.5times the rated pressure

* At ordering please specify pressure rating as a suffix with model.

Example : FT 1/4.5 (Model JKD-FT 1, 4.5kgf/cm²(0.45MPa))

MATERIALS (Standard)

No	Part	JKD-FT1/FT2	JKD-FT3
a	Body	Cast iron	Cast steel
b	Lever	C.Stainless Steel	C.Stainless Steel
c	Ball float	Stainless Steel	Stainless Steel
d	Valve	Stainless Steel	Stainless Steel
e	Seat body	C.Stainless Steel	C.Stainless Steel
f	Gasket	Asbestos	Asbestos
g	Bonnet	Cast iron	Cast steel
h	Air vent ass'y	Stainless Steel	Stainless Steel
i	Stem	Stainless Steel	Stainless Steel
j	Seat	C.Stainless Steel	C.Stainless Steel
k	Bolt	Carbon steel	Carbon steel

Cast steel body steam traps are also available on request.

Differences on construction and appearance

Size	Part	Size (mm)				
		15	20	25	32	40 50
FT 1/FT 2	Body	Spheroidal		Dome		
	Bonnet	Square		Hexagonal		
	Seat	Single		Double		
	Drain plug	PT 3/8"		PT 3/8"		
FT 2	Strainer	Built-in		-		

- Weights and the length "L" are based on our standard products and they may be subject to changes by details requested.
- ANSI, DIN flanges are also available on request.
- NPT thread types available.

CAPACITY CHART

of maximum discharge at the rated pressure ranges

