

## Features

### Specifications

This is designed for high steam pressure, combined with SSR system.

SSR(Shockless Self Return) mechanism is maintainable to keep away shock while valve closing and centering, and to allow steady draining, valve self-closing independently from the bucket coming up.

- Small and compact design
- Easy maintenance and replacement

### End Connections

KS PT Screwed, NPT available on order.

### Test Pressures

Working Pressure	0.35~4, 4~8 kgf/cm <sup>2</sup> (0.035~0.4, 0.4~0.8 MPa)
	8~12, 12~16 kgf/cm <sup>2</sup> (0.8~1.2, 1.2~1.6 MPa)

Working Temperature	220°C
---------------------	-------

Hydrostatic Test Pressure	1.5 times the pressure rating
---------------------------	-------------------------------

At ordering, specify pressure range as a suffix with model to allow maximum discharge rate.

eg. JTR-BT21(JKD-BT4)/4.5 : pressure range

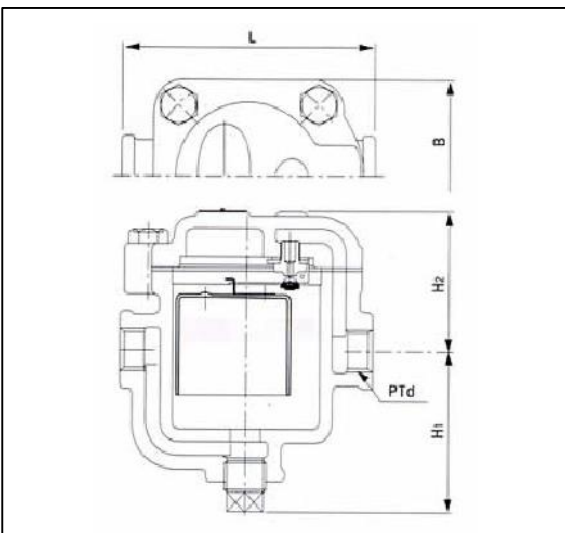
0.35~4.5 kgf/cm<sup>2</sup> {0.035~0.45MPa}

## Material Combination



P/No.	Name of Part	Material
1	Body	Ductile Iron
2	Bonnet	Ductile Iron
3	Bucket	Stainless Steel
4	Seat	Stainless Steel
5	Disc (Valve)	Stainless Steel
6	Plug	Malleable Iron
7	Bolt	Carbon Steel

## Dimensional Data



N. Size	L	H1	H2	B	PTd	Wt.Kg
15 (1/2)	127	80	71	94	PT 1/2	3.1
20 (3/4)	132	82	71	94	PT 3/4	3.2
25 (1)	137	101	74	94	PT 1	3.5

### Cautions at Sizing

At sizing, ensure to select the steam trap size to drain condensate loads 3 times the expected safety factor. In case of any back pressure at the steam trap outlet side, choose the trap size by the pressure differential between inlet and outlet pressure.