

Features

Specifications

Bronze Foot Valve, Vertical Lift Type with Rubber Disc, Integral Seat with Metallic Strainer, Screwed Female End.

End Connections

Screwed Female BSP Parallel Threads to BS 21.

Test Pressures

Body - 435 Psig Hyd. (30 bar)

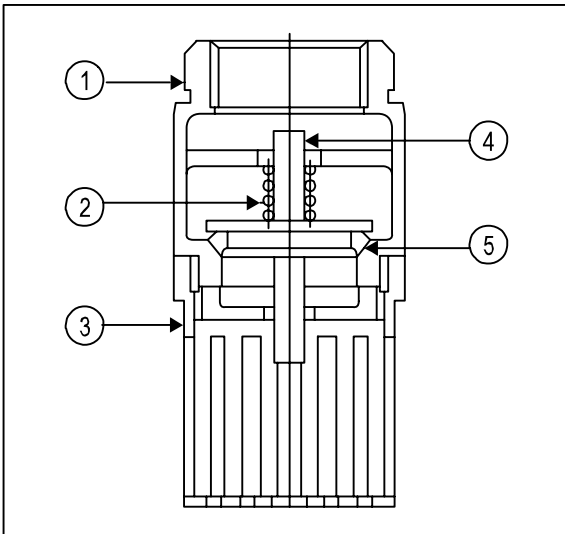
Seat - 319 Psig Hyd. (22 bar)



Suitability

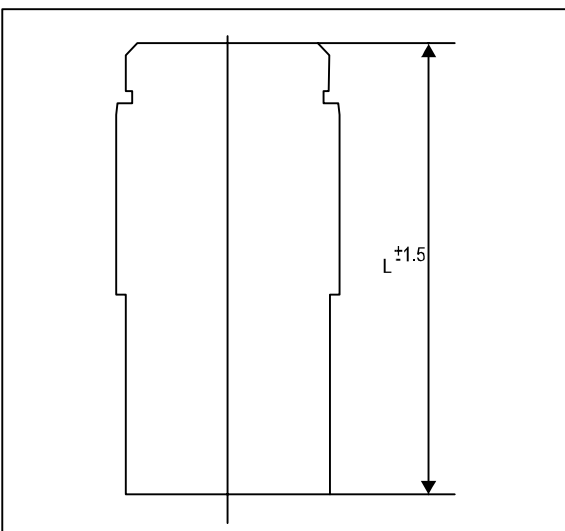


Material Combination



P/No.	Name of Part	Material	Specifications
1	Body	Bronze	BS 1400 LG2
2	Spring	S.S.	AISI 304
3	Strainer	Bronze	BS 1400 LG2
4	Disc	Bronze	BS 1400 LG2
5	O - Ring	Synthetic Rubber	-

Dimensional Data



Nominal Size	L
15	67
20	68
25	73
32	83
40	88
50	92
65	108
80	114
100	137
125	160
150	199