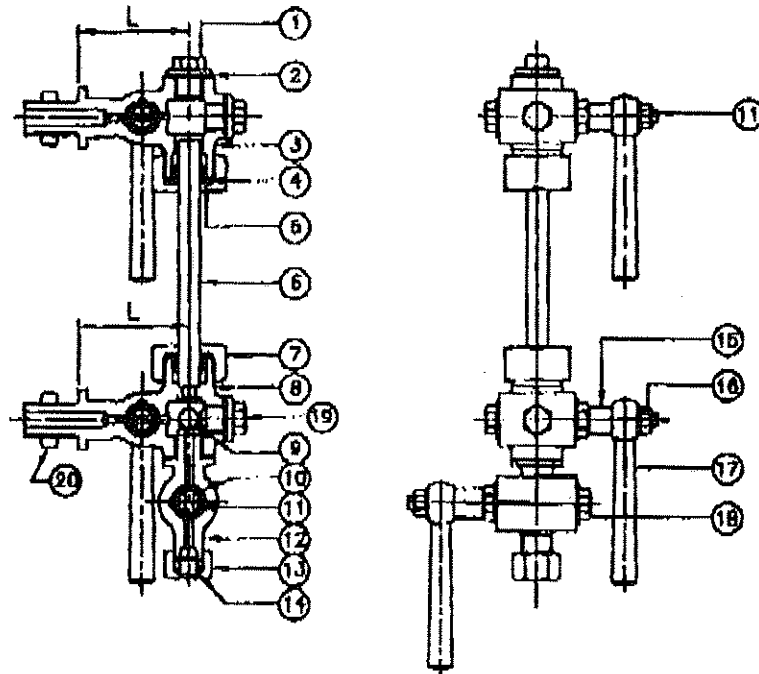


# ATAM BRONZE SLEEVE PACKED WATER LEVEL GAUGE, SCREWED



### SPECIFICATIONS:

BRONZE SLEEVE PACKED WATER LEVEL GAUGE  
 WITH AUTOMATIC SHUT OFF DEVICE IN THE WATER ARM  
 AVAILABLE FOR LEFT HAND OR RIGHT HAND MOUNTING  
 SUITABLE FOR MAXIMUM BOP - 250 Psig  
 MAXIMUM SERVICE TEMPERATURE - 225°C

### END CONNECTIONS:

SCREWED MALE BSP THREADS.

### CERTIFICATION

TEST CERTIFICATE IN FORM III-C AS PER IBR IS FURNISHED WITH EVERY SUPPLY.

### TEST PRESSURES:

HYDRAULIC TEST PRESSURE - 500 Psig

DIMENSIONAL DATA IN mm	
NOMINAL SIZE	L
15	70
18 (5/8inch)	70
20	70

### MATERIAL COMBINATION

P.NO.	NAME OF PARTS	MATERIAL	SPECIFICATIONS
1	PLUG	BRONZE	IBR 282 (a) (v) Gr.B.
2	GASKET	C.A.F.	IS 2712
3	UPPER ARM	BRONZE	IBR 282 (a) (v) Gr.B.
4	CONE	RUBBER	-
5	WASHER	BRONZE	IBR 282 (a) (v) Gr.B.
6	GLASS TUBE	GLASS	-
7	NUT	BRONZE	IBR 282 (a) (v) Gr.B.
8	LOWER ARM	BRONZE	IBR 282 (a) (v) Gr.B.
9	BALL	S.S.	ASTM 304
10	SLEEVE	MOULDED ASBESTOS	-
11	STEM	S.S.	ASTM 410
12	DRAIN VALVE	BRONZE	IBR 282 (a) (v) Gr.B.
13	NUT	BRONZE	IBR 282 (a) (v) Gr.B.
14	NIPPLE	BRASS	-
15	BONNET	BRONZE	IBR 282 (a) (v) Gr.B.
16	NUT	S.S.	IS 518
17	HANDLE	BRONZE	IBR 282 (a) (v) Gr.B.
18	PLUG	BRONZE	IBR 282 (a) (v) Gr.B.
19	PLUG	BRONZE	IBR 282 (a) (v) Gr.B.
20	LOCKING NUT	BRONZE	IBR 282 (a) (v) Gr.B.



Manufactured in *India*  
**ATAM VALVES PVT.LTD., JALANDHAR 144 004**