

## Features

### Specifications

Screwed Bonnet, Threaded BSP ends

PN16

8 Bar (125PSI) Steam

14 Bar (200PSI) Water, Oil



Fig. 614

## Suitability

Water



Steam



Gas



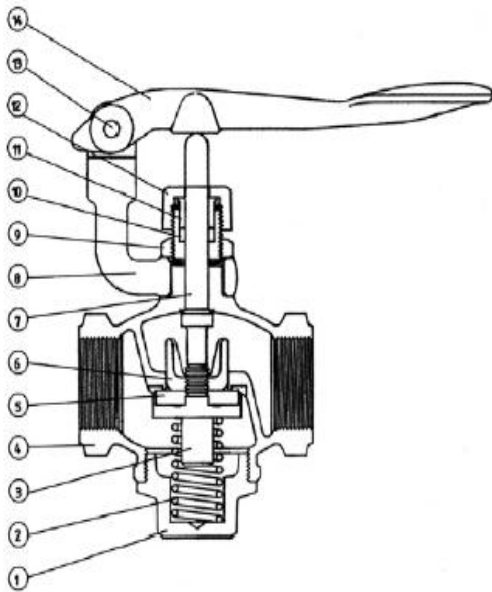
Oil



Air

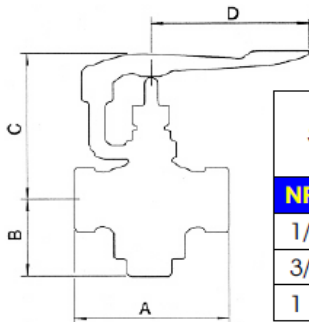


## Material Combination



P/No.	Name of Part	Material	Specifications
1	Cap	Bronze	B-62 Alloy C836
2	Spring	Stainless Steel	AISI 302 A276
3	Disc Holder	Bronze	B-62 Alloy C836
4	Body	Bronze	B-62 Alloy C836
5	Disc	PTFE	-
6	Disc Guide Nut	Bronze	B-62 Alloy C836
7	Pin	Brass	B-124 Alloy C377
8	Support Cradle	Bronze	B-62 Alloy C836
9	Nut	Brass	B-16 Alloy C360
10	Packing	PTFE	-
11	Packing Gland	Brass	B-124 Alloy C377
12	Packing Nut	Bronze	B-62 Alloy C836
13	Elastic Pin	Stee	-
14	Lever	Bronze	B-62 Alloy C836

## Dimensional Data



Sizes		Weight	Dimensions			
NPS*	DN**	Kg	A	B	C	D
1/2	15	0,72	74	40	85	87
3/4	20	0,80	84	45	90	87
1	25	1,60	95	54	105	121

\* NPS: Nominal Pipe Size  
\*\* DN: Diámetro Nominal