

Features

Specifications

Screwed Bonnet, Threaded BSP ends

PN16

9 Bar (125PSI) Steam

14 Bar (200PSI) Water, Oil

Fig. 601



Suitability

Water



Steam



Gas



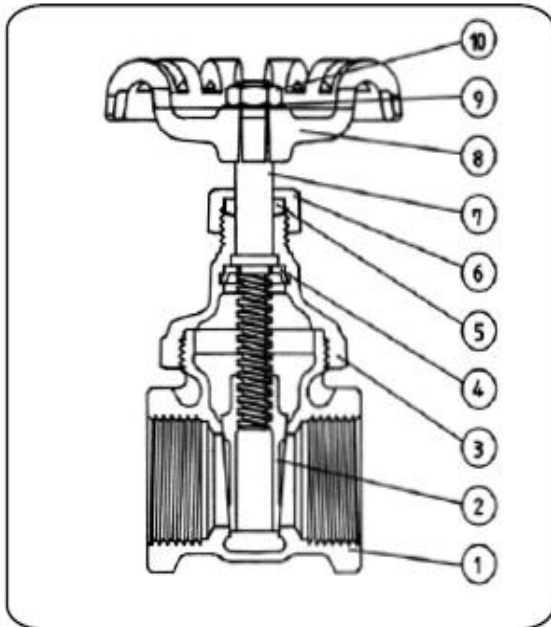
Oil



Air

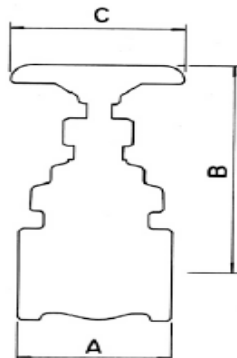


Material Combination



P/No.	Name of Part	Material	Specifications
1	Body	Bronze	B-62 Alloy C836
2	Solid Wedge	Bronze	B-62 Alloy C836
3	Bonnet	Bronze	B-62 Alloy C836
4	Lock Washer	Brass	B-124 Alloy C377
5	Packing	PTFE	-
6	Packing Nut	Bronze	B-62 Alloy C836
7	Stem	Brass	B-124 Alloy C377
8	Handwheel	Aluminium	B-85 S 12 A
9	Identification Plate	Aluminium	-
10	Handwheel Nut	Dichromated Steel	-

Dimensional Data



Sizes		Weight	Dimensions		
NPS*	DN**	Kg	A	B	C
1/4	6	0,253	40	66	50
3/8	10	0,236	44	66	50
1/2	15	0,248	45,5	69,5	50
3/4	20	0,334	50	82	60
1	25	0,520	58	98	70
1 1/4	32	0,850	65	115,5	80
1 1/2	40	1,110	67	128	80
2	50	1,800	80	156,5	90
2 1/2	65	2,670	92	184	120
3	80	4,310	102	207	130
4	100	7,733	127	272	165

* NPS: Nominal Pipe Size
** DN: Diámetro Nominal