

Features

Specifications

Threaded BSP ends

3.5 Bar (50PSI) Condensated Steam

7 Bar (100PSI) Liquids @ 60°C

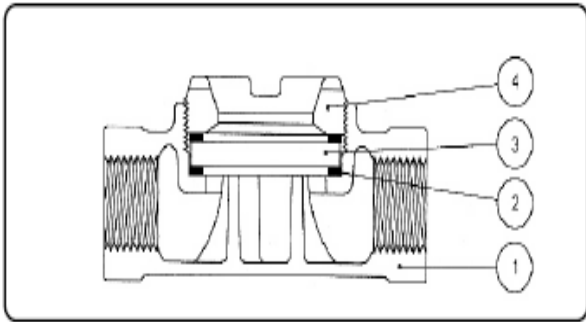


Fig. 088

Suitability

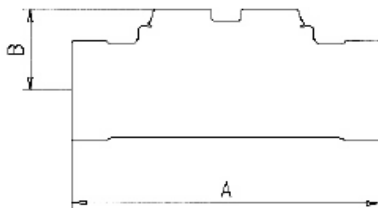
- Water
- Steam
- Gas
- Oil
- Air

Material Combination



P/No.	Name of Part	Material	Specifications
1	Body	Bronze	B-62 Alloy C836
2	Gasket	Hydraulic Gasket	ASBERIT 1020
3	Glass	Hardened Sight	-
4	Lock Washer	Bronze	B-62 Alloy C836

Dimensional Data



Sizes		Weight Kg	Dimensions	
NPS*	DN**		A	B
3/8	10	0,40	85	24,5
1/2	15	0,42	85	24,5
3/4	20	0,60	98	29,0
1	25	0,68	114	31,0
1 1/4	32	1,08	130	36,5
1 1/2	40	1,30	140	37,5
2	50	2,05	155	47,0