

Features

Specifications

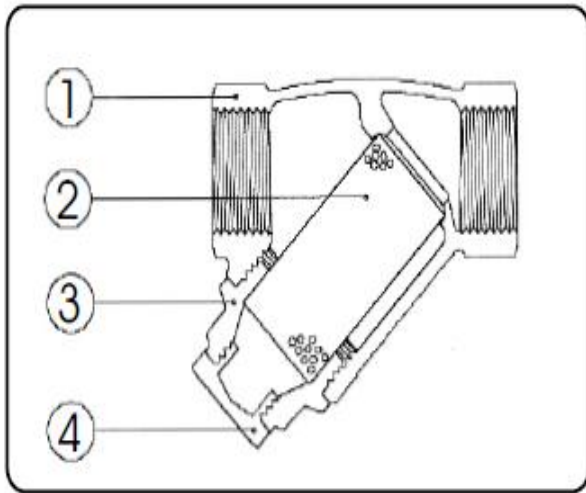
Threaded BSP ends, with drain
 PN20
 10 Bar (150PSI) Steam
 20 Bar (300PSI) Water, Oil



Suitability

Water Steam Gas Oil Air

Material Combination



P/No.	Name of Part	Material	Specifications
1	Body	Bronze	B-62 Alloy C836
2	Strainer	Stainless Steel	AISI 304
3	Bonnet	Bronze	B-62 Alloy C836
4	Cap (A)	Bronze	B-62 Alloy C836
A	For Sizes 6 to 20mm	Brass	B-124 Alloy C377

Dimensional Data



Sizes		Weight	Dimensions	
NPS*	DN**	Kg	A	B
1/4	6	0,23	50	120
3/8	10	0,23	50	120
1/2	15	0,43	75	54
3/4	20	54	80	60
1	25	0,90	96	72
1 1/4	32	1,14	110	83
1 1/2	40	1,75	130	89
2	50	2,45	150	108
2 1/2	65	3,35	195	122
3	80	5,15	230	147