

## Features

### Specifications

Threaded BSP ends, PN20  
 Sealing with Needle Point Type  
 1/8" Drain Cock BSP  
 10 Bar (150PSI) Steam  
 20 Bar (300PSI) Water, Oil

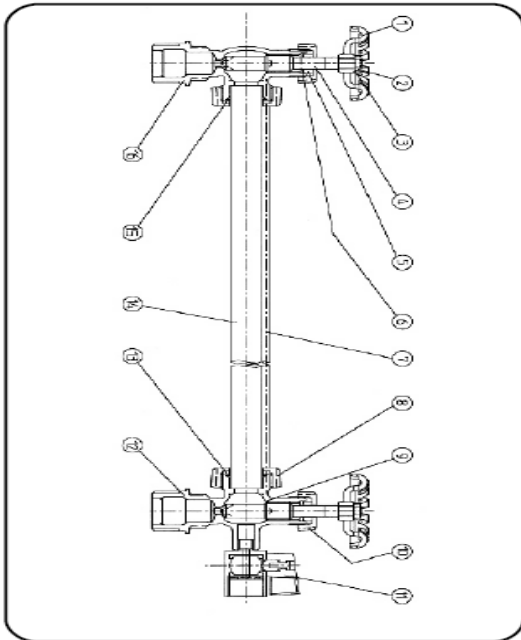
### Suitability

Water  Steam  Gas  Oil  Air



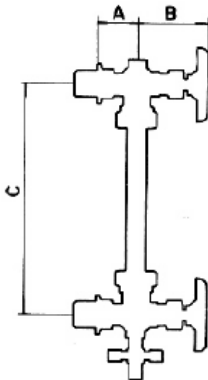
Fig. 081

### Material Combination



| P/No. | Name of Part         | Material          | Specifications   |
|-------|----------------------|-------------------|------------------|
| 1     | Handwheel            | Aluminium         | B-85 12A         |
| 2     | Handwheel Nut        | Dichromated Steel | -                |
| 3     | Identification Plate | Aluminium         | -                |
| 4     | Stem                 | Brass             | B-124 Alloy C377 |
| 5     | Packing              | PTFE              | -                |
| 6     | Washer               | Brass             | B-124 Alloy C377 |
| 7     | Rod                  | Brass             | B-124 Alloy C377 |
| 8     | Union Nut            | Bronze            | B-62 Alloy C836  |
| 9     | Rod Bonnet           | Brass             | B-124 Alloy C377 |
| 10    | Packing Nut          | Bronze            | B-62 Alloy C836  |
| 11    | Mini Ball Valve      | C/P Brass         | -                |
| 12    | Body                 | Bronze            | B-62 Alloy C836  |
| 13    | Washer               | Brass             | B-124 Alloy C377 |
| 14    | Tube                 | Glass             | -                |
| 15    | O'Ring               | Buna N            | -                |
| 16    | Body                 | Bronze            | B-62 Alloy C836  |

### Dimensional Data



| Sizes |      | Weight<br>Kg | Dimensions |       |     |          |        |
|-------|------|--------------|------------|-------|-----|----------|--------|
| NPS*  | DN** |              | A          | B (1) | C   | D (2)    | E (3)  |
| 1/2   | 15   | 0,78         | 32         | 64    | 406 | 5/32x420 | 16x370 |
| 3/4   | 20   | 0,84         | 32         | 64    | 406 | 5/32x420 | 16x370 |

- (1) Open
- (2) Diameter and Length of Guard Rods
- (3) Diameter and Length of Glass (Optional)