

Features

Specifications

Screwed Bonnet, Threaded BSP ends

PN16

14 Bar (200PSI) Water, Oil

For 4" valves, maximum admissible pressure is 100PSI



Suitability

Water



Steam



Gas



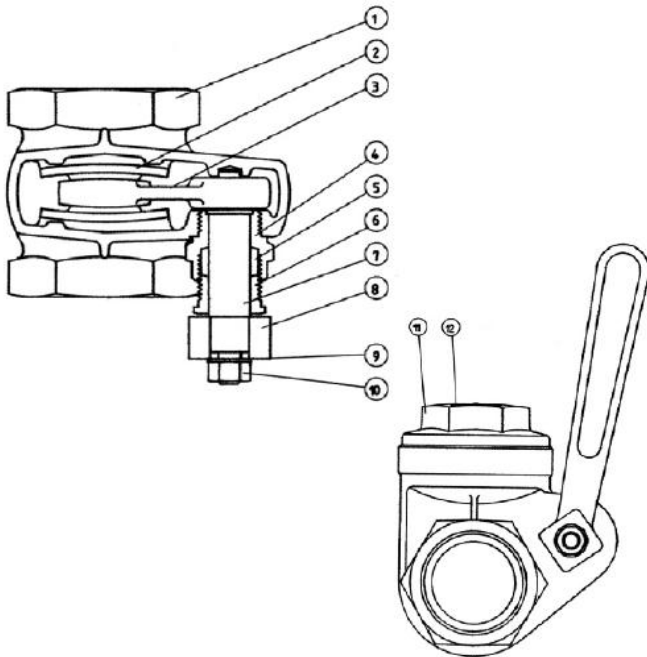
Oil



Air

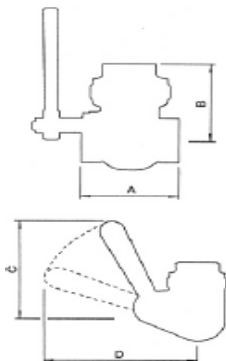


Material Combination



| P/No. | Name of Part | Material | Specifications |
|-------|----------------------|-------------------|------------------|
| 1 | Body | Bronze | B-62 Alloy C836 |
| 2 | Disc | Bronze | B-62 Alloy C836 |
| 3 | Lever | Bronze | B-62 Alloy C836 |
| 4 | Stuffing Box | Bronze | B-62 Alloy C836 |
| 5 | Packing | PTFE | - |
| 6 | Packing Gland | Brass | B-124 Alloy C377 |
| 7 | Stem | Brass | B-124 Alloy C377 |
| 8 | Handle | Bronze | B-62 Alloy C836 |
| 9 | Washer | Dichromated Steel | B-16 Alloy C360 |
| 10 | Handle Nut | Dichromated Steel | B-16 Alloy C360 |
| 11 | Cap | Bronze | B-62 Alloy C836 |
| 12 | Identification Plate | Aluminium | - |

Dimensional Data



| Sizes | | Weight Kg | Dimensions | | | |
|-------|------|--------------|------------|-----|-----|-----|
| NPS* | DN** | | A | B | C | D |
| 2 | 50 | 2,85 | 84 | 96 | 170 | 205 |
| 2 1/2 | 65 | 4,58 | 94 | 110 | 215 | 240 |
| 3 | 80 | 5,98 | 100 | 130 | 240 | 258 |
| 4 | 100 | 10,91 | 112 | 168 | 315 | 390 |

* NPS: Nominal Pipe Size
** DN: Diámetro Nominal