

Features

Specifications

Screwed Bonnet, Threaded BSP ends

PN20

10 Bar (150PSI) Steam

20 Bar (300PSI) Water, Oil



Suitability

Water



Steam



Gas



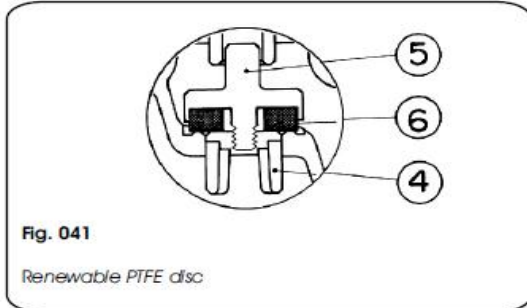
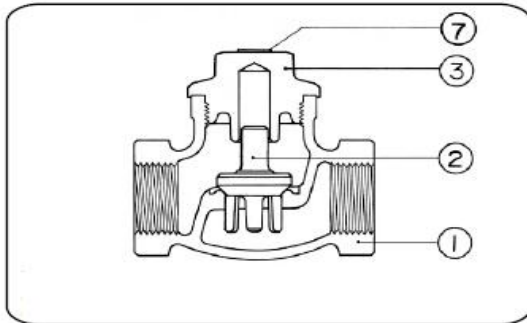
Oil



Air

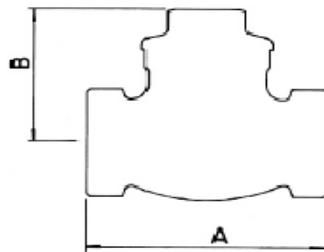


Material Combination



P/No.	Name of Part	Material	Specifications
1	Body	Bronze	B-62 Alloy C836
2	Metallic Disc	Bronze	B-62 Alloy C836
3	Bonnet	Bronze	B-62 Alloy C836
4	Disc Guide Nut	Bronze	B-62 Alloy C836
5	Disc Holder	Bronze	B-62 Alloy C836
6	Disc	PTFE	-
7	Identification Plate	Aluminium	-

Dimensional Data



Sizes		Weight Kg	Dimensions	
NPS*	DN**		A	B
1/2	15	0,45	68	48
3/4	20	0,61	80	52
1	25	0,90	92	58
1 1/4	32	1,40	105	67
1 1/2	40	1,95	118	75
2	50	2,90	140	86
2 1/2	65	4,87	166	102
3	80	7,90	192	117
4	100	18,00	254	156