

Features

These valves were developed for the relieving of the overpressure in pipelines or pressure vessels which are operated with water or other liquids. In spite, such valves have not the instantaneous opening (pop action), they can be used for steam on non-coded installations and when high discharge rates are not required.

NOTE: It is recommended to change the spring for use below 40PSI



Fig. 038

Suitability

Water	Steam	Gas	Oil	Air
<input checked="" type="checkbox"/>	<input checked="" type="checkbox"/>	<input type="checkbox"/>	<input checked="" type="checkbox"/>	<input type="checkbox"/>

Material Combination

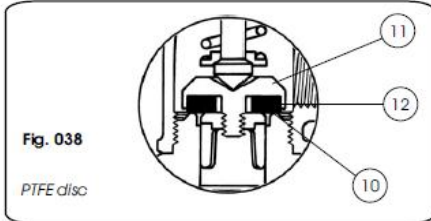
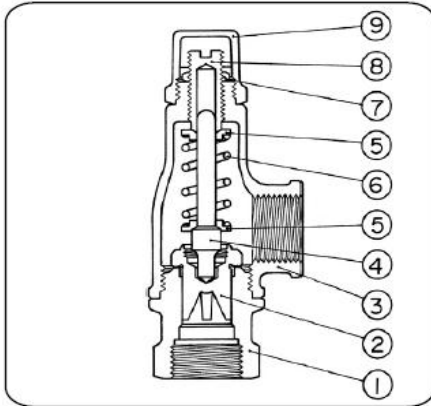
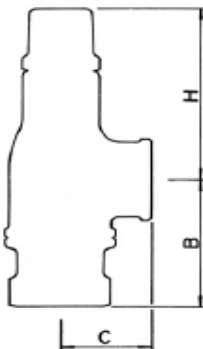


Fig. 038
PTFE disc

P/No.	Name of Part	Material	Specifications
1	Seat	Bronze	B-62 Alloy C836
2	Disc	Bronze	B-62 Alloy C836
3	Body	Bronze	B-62 Alloy C836
4	Spindle	Brass	B-124 Alloy C377
5	Spring Washer	Brass	B-124 Alloy C377
6	Spring	Dichromated Steel	AISI 1060
7	Adj. Screw Locknut	Brass	B-16 Alloy C360
8	Adjusting Screw	Brass	B-124 Alloy C377
9	Cap	Bronze	B-62 Alloy C836
10	Disc Guide	Bronze	B-62 Alloy C836
11	Disc Holder	Bronze	B-62 Alloy C836
12	Disc	PTFE	-

Dimensional Data



Sizes		Weight Kg	Dimensions		
NPS*	DN**		C	B	H
1/2	15	0,540	30	47	73
3/4	20	0,730	36	57	76
1	25	1,050	40	71	82
1 1/4	32	1,600	54	79	104
1 1/2	40	2,200	60	85	109
2	50	3,400	70	102	133
2 1/2	65	7,100	78	78	195
3	80	9,200	92	92	205

(1) Open
(2) Seat opening

* NPS: Nominal Pipe Size
** DN: Diámetro Nominal