

Features

Specifications

Union Bonnet Ring, Threaded BSP ends

PN25

14 Bar (200PSI) Steam

28 Bar (400PSI) Water, Oil



Fig. 009
Fig. 010

Suitability

Water



Steam



Gas



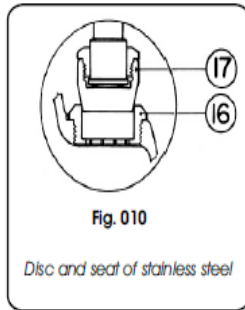
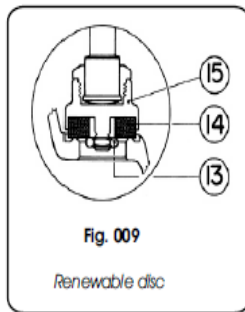
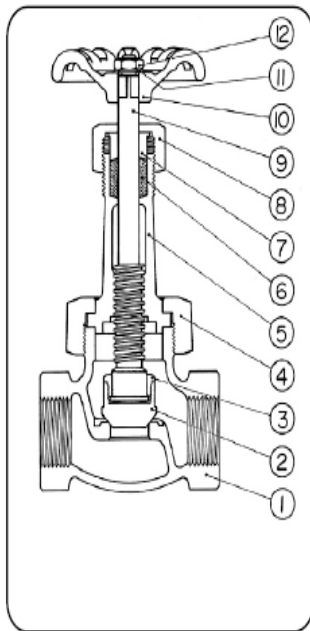
Oil



Air

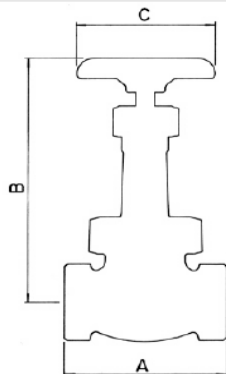


Material Combination



P/No.	Name of Part	Material	Specifications
1	Body	Bronze	B-61 Alloy C922
2	Metallic Disc	Bronze	B-62 Alloy C836
3	Disc Holder Nut	Brass	B-16 Alloy C360
4	Union Bonnet	Bronze	B-62 Alloy C836
5	Bonnet	Bronze	B-61 Alloy C922
6	Packing	PTFE	-
7	Packing Gland	Brass	B-124 Alloy C377
8	Packing Nut	Bronze	B-62 Alloy C836
9	Stem	Brass	B-124 Alloy C377
10	Handwheel	Aluminium	B-85 12A
11	Identification Plate	Aluminium	-
12	Handwheel Nut	Dichromated Steel	-
13	Disc Nut	Brass	B-16 Alloy C360
14	Renewable Disc	PTFE	-
15	Disc Holder	Bronze	B-62 Alloy C836
16	Seat Ring	Stainless Steel	A-276 Type 410
17	Plug Disc	Stainless Steel	A-276 Type 410

Dimensional Data



Sizes		Weight Kg	Dimensions		
NPS*	DN**		A	B (O1)	C
1/2	15	0,75	71	145	65
3/4	20	0,99	81	155	70
1	25	1,64	94	175	80
1 1/4	32	2,22	108	200	90
1 1/2	40	3,41	120	220	100
2	50	4,94	148	255	120

* NPS: Nominal Pipe Size
** DN: Diámetro Nominal