

## Features

### Specifications

Screwed Bonnet, Threaded BSP ends

PN20

10 Bar (150PSI) Steam

20 Bar (300PSI) Water, Oil



Fig. 004  
Fig. 005

### Suitability

Water



Steam



Gas



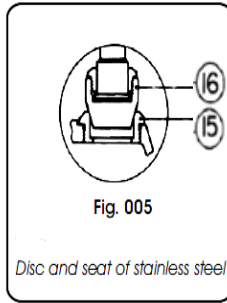
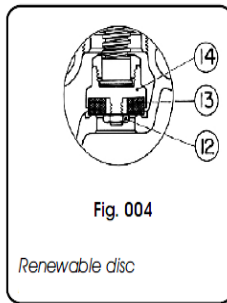
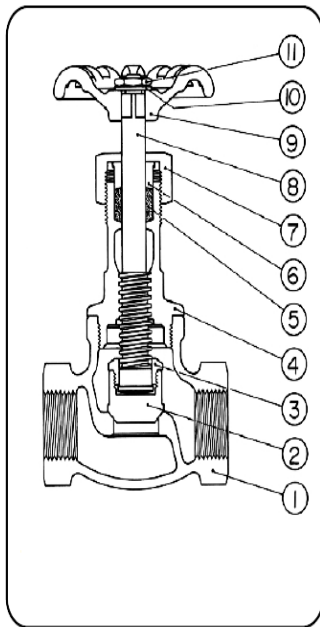
Oil



Air

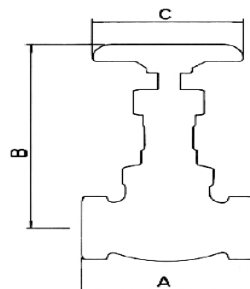


### Material Combination



P/No.	Name of Part	Material	Specifications
1	Body	Bronze	B-62 Alloy C836
2	Metallic Disc	Bronze	B-62 Alloy C836
3	Disc Holder Nut	Brass	B-16 Alloy C360
4	Bonnet	Bronze	B-62 Alloy C836
5	Packing	PTFE	-
6	Packing Gland	Brass	B-124 Alloy C377
7	Packing Nut	Bronze	B-62 Alloy C836
8	Stem	Brass	B-124 Alloy C377
9	Handwheel	Aluminium	B-85 S 12 A
10	Identification Plate	Aluminium	-
11	Handwheel Nut	Dichromated Steel	-
12	Disc Nut	Brass	B-16 Alloy C360
13	Renewable Disc	PTFE	-
14	Disc Holder	Bronze	B-62 Alloy C836
15	Seat Ring	Stainless Steel	A-276 Type 410
16	Plug Disc	Stainless Steel	A-276 Type 410

### Dimensional Data



Sizes		Weight Kg	Dimensions		
NPS*	DN**		A	B (O1)	C
1/2	15	0,59	68	116	65
3/4	20	0,83	80	136	70
1	25	1,26	92	154	80
1 1/4	32	1,82	105	173	90
1 1/2	40	2,25	118	182	100
2	50	3,77	140	218	120
2 1/2	65	5,87	166	234	140
3	80	9,30	192	270	165
4	100	21,10	254	350	200